

LED MINI BEACONS

CLASS I, CLASS III

FROM GROTE AND A&M TRUCK PARTS



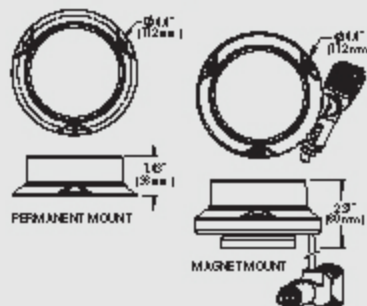
12
FLASH
PATTERNS

SAE
INTERNATIONAL
SAE J945
STANDARD

S
S-LINK™
CAPABLE

F
FIT
COMPACT
SIZE

VOLTAGE:
PERMANENT MOUNT: 9–32 VDC
MAGNET MOUNT: 12 VDC
AMP DRAW:
0.4 AMPS @ 12 VDC
APPROVALS:
SAE J945 CLASS I (AMBER, WHITE, BLUE)
SAE J945 CLASS III (GREEN)



S
S-LINK™
CAPABLE

S-Link 2.0 System is a proprietary technology that will allow similar S-Link products to be synchronized. This would allow for a user to define the flash patterns on up to ten devices for a customized, tailored look on a vehicle.

Note: Only S-Link compatible products can be synchronized together. Refer to user installation manuals for details on S-Link synchronization.

COMPACT SIZE, BIG VERSATILITY

Grote's LED Mini Beacons are the smallest beacons that Grote offers, but with 12 customer selectable flash patterns and S-Link™ 2.0 capabilities they are big on features and capabilities.



FEATURES & BENEFITS

- 12 customer selectable flash patterns in either of two phases, plus steady-on
- S-Link™ 2.0 System allows for flash pattern synchronization with up to ten other S-Link compatible units (for hardwire models only)
- Polycarbonate lens and base (Ultrasonic welded); Polarity protected
- Three-hole, permanent mount and magnet mount with pattern select aux. plug

| PART # | DESCRIPTION | MOUNT | COLOR |
|--------|--------------------------------------|-----------|---------------------|
| 79243 | LED MINI BEACON, CLASS I | PERMANENT | AMBER W/ AMBER LENS |
| 79240 | LED MINI BEACON, CLASS I | PERMANENT | AMBER W/ CLEAR LENS |
| 79241 | LED MINI BEACON, CLASS I | PERMANENT | WHITE W/ CLEAR LENS |
| 79244 | LED MINI BEACON, CLASS III | PERMANENT | GREEN W/ CLEAR LENS |
| 79245 | LED MINI BEACON, CLASS I | PERMANENT | BLUE W/ CLEAR LENS |
| 79253 | LED MINI BEACON, CLASS I | MAGNET | AMBER W/ AMBER LENS |
| 79250 | LED MINI BEACON, CLASS I | MAGNET | AMBER W/ CLEAR LENS |
| 79251 | LED MINI BEACON, CLASS I | MAGNET | WHITE W/ CLEAR LENS |
| 79254 | LED MINI BEACON, CLASS III | MAGNET | GREEN W/ CLEAR LENS |
| 79255 | LED MINI BEACON, CLASS I | MAGNET | BLUE W/ CLEAR LENS |
| 93605 | MOUNTING BRACKET FOR LED MINI BEACON | | |



QZ-FIND

SCAN FOR TECH SPECS,
RELATED PRODUCTS
AND MORE

FOR MORE INFORMATION
VISIT OUR WEBSITE.
GROTE.COM

A&M
TruckParts
LIMITED

Grote

A&M
TruckParts
LIMITED

LONDON

960 Pond Mills Rd.,
London, ON
N6N 1A1
Tel: (519) 686-0662
Fax: (519) 686-1446
Toll Free: 800-265-6004

WALKERTON

225 Rideout St.,
Walkerton, ON
N0G 2V0
Tel: (519) 881-3040
Fax: (519) 881-3047
Toll Free: 800-565-6861